

ACUTABOV

WOOD

PAGE

60 BI-METAL HOLESAWS KIT

64 PRO-FIT MULTIPURPOSE TCT HOLESAWS KIT



E

alpha

PAGE

54 **TURBOMAX AUGER BITS**



55 **TURBO-BORE SPADE BITS**



56 **SHIPPER AUGERS**



57 **SCOTCH PATTERN AUGERS**



58 **BI-METAL HOLESAWS**



61 **ARBORS**



62 **PRO-FIT TCT HOLESAWS**



65 **PRO-FIT ARBORS**



66 **HACKSAW BLADES**



67 **HACKSAW FRAME**



68 **BROACH DRILLS**



70 **BROACH STEP DRILLS**



TURBOMAX AUGER BITS

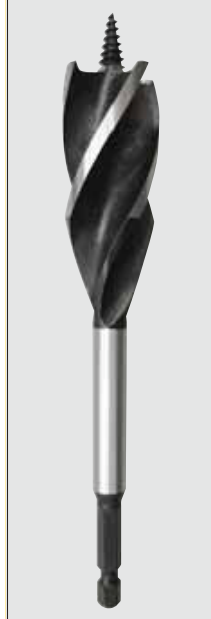
4 cutter auger bit with screw tip for effortless feed and spurs for cleaner faster cutting



1/4" hex

	measure standard METRIC	style AUGER 1/4" HEX	material HSS 4 CUTTER	
--	-----------------------------------	--------------------------------	---------------------------------	---

Drill Dia. mm	Code	OAL mm	FL. mm	Shank Dia. mm	Price \$ each	Pack qty
TURBOMAX AUGER BITS						
10	TS4C-10	165	55	1/4		10
13	TS4C-13	165	55	1/4		10
16	TS4C-16	165	70	1/4		10
19	TS4C-19	165	70	1/4		10
22	TS4C-22	165	80	1/4		10
25	TS4C-25	165	90	1/4		10
32	TS4C-32	165	90	7/16		10
SUPPLIED IN RETAIL HANG CARDS						
Drill Dia. mm	Code	Description	Price \$ each	Pack qty		
TURBOMAX AUGER BIT SETS						
16-25	TS4C-SET3	3 pce Turbomax Auger Bit Set 16, 19, 25mm		1		
16-32	TS4C-SET5	5 pce Turbomax Auger Bit Set 16, 19, 22, 25, 32mm		1		



SCREW TIP FOR EFFORTLESS FEED

CUTTING SPUR FOR SMOOTHER CLEAN HOLES

DESIGN FOR FASTER CHIP EJECTION

4X FASTER THAN STANDARD SPADE BITS

TURBO-BORESPADEBITS

double outside spurs provide a cleaner hole and reduce vibration
unique twist design cuts faster than standard spade bits



measure standard		style		material		alpha	
METRIC		SPADE BIT 1/4' HEX		HSS TWIST GROOVE			
Size	Code	Size		Price	Pack		
mm		inches		each	qty		
TURBO-BORE SPADE BITS							
6	TS08-06	1/4			50		
8	TS08-08	5/16			50		
10	TS08-10	3/8			50		
11	TS08-11	7/16			50		
12	TS08-12	1/2			50		
13	TS08-13	33/64			50		
14	TS08-14	9/16			50		
15	TS08-15	9/32			50		
16	TS08-16	5/8			50		
18	TS08-18	11/16			50		
19	TS08-19	3/4			50		
20	TS08-20	13/16			50		
22	TS08-22	7/8			50		
24	TS08-24	15/16			50		
25	TS08-25	1			50		
28	TS08-28	1-1/8			50		
30	TS08-30	1-3/16			40		
32	TS08-32	1-1/4			40		
35	TS08-35	1-3/8			25		
38	TS08-38	1-1/2			25		
40	TS08-40	1-9/16			25		
SUPPLIED IN INDIVIDUAL HANG PACKS							
OAL	Code	Size		Price	Pack		
mm				each	qty		
SPADE BITS EXTENSIONS							
65	CMBHQR65	65mm Extension - Quick Release - see page 114			40		
150	CMBHQR150	150mm Extension - Quick Release - see page 114			30		
150	TS08-EXT150	150mm Extension Bar with Grub Screw - supplied with Allen Key			1		
300	TS08-EXT300	300mm Extension Bar with Grub Screw - supplied with Allen Key			1		
SUPPLIED IN CARDED HANG PACKS							
Code	Size			Price	Pack		
				each	qty		
SPADE BITS SET							
	TS08-SET8	8 pce Spade Bit Set with 150mm Extension Bar + Allen Key Sizes: 10, 12, 16, 20, 22, 25, 32mm			10		
AVAILABLE IN COUNTER DISPLAY BOX OF 10							



TS08-EXT150





WOOD AUGER DRILL BITS

hex shank / suitable for all timbers / shipper type twist with dual cutting spur



measure standard		style		material			alpha	
METRIC		SHIPPER AUGER		HSS DUAL SPUR				
Drill Dia.	Code	Dia.	OAL	FL.			Price	Pack
mm		inches	mm	mm			each	qty
WOOD AUGER DRILL BITS								
6	WA060200	1/4	200	100				1
6	WA060450	1/4	450	360				1
8	WA080200	5/16	200	100				1
8	WA080450	5/16	450	360				1
8	WA080600	5/16	600	360				1
10	WA100200	3/8	200	100				1
10	WA100450	3/8	450	360				1
10	WA100600	3/8	600	360				1
12	WA120200	1/2	200	100				1
12	WA120450	1/2	450	360				1
12	WA120600	1/2	600	360				1
14	WA140200	9/16	200	100				1
14	WA140450	9/16	450	360				1
14	WA140600	9/16	600	360				1
15	WA150200		200	100				1
16	WA160200	5/8	200	100				1
16	WA160450	5/8	450	360				1
16	WA160600	5/8	600	360				1
18	WA180200	23/32	200	100				1
18	WA180450	23/32	450	360				1
18	WA180600	23/32	600	360				1
20	WA200200	25/32	200	100				1
20	WA200450	25/32	450	360				1
20	WA200600	25/32	600	360				1
22	WA220200	7/8	200	100				1
22	WA220450	7/8	450	360				1
22	WA220600	7/8	600	360				1
24	WA240200	15/16	200	100				1
24	WA240600	15/16	600	360				1
25	WA250200	1	200	100				1
25	WA250450	1	450	360				1
26	WA260600		600	360				1
28	WA280200	1-1/8	200	100				1
28	WA280600	1-1/8	600	360				1
30	WA300200	1-3/16	200	100				1
30	WA300450	1-3/16	450	360				1
30	WA300600	1-3/16	600	360				1
32	WA320200	1-1/4	200	100				1
32	WA320600	1-1/4	600	360				1
34	WA340600		600	360				1
36	WA360600		600	360				1

SUPPLIED IN PLASTIC TUBE

WOODAUGERDRILLBITS

for drilling hardwood timber / has a Mathieson type twist for drilling in hardwoods



measure standard **METRIC** style **SCOTCH PATTERN AUGER** material **HSS TWIN CUTTING EDGES** *alpha*

Drill Dia. mm	Code	Dia. inches	OAL mm	FL. mm			Price each	Pack qty
WOOD AUGER DRILL BITS								
6	WAS060230	1/4	230					1
8	WAS080230	5/16	230					1
10	WAS100220	3/8	220					1
10	WAS100330	3/8	330					1
11	WAS110330	7/16	330					1
11	WAS110440	7/16	440					1
12	WAS120220	1/2	220					1
12	WAS120330	1/2	330					1
12.7	WAS127230	1/2	230					1
14	WAS140230	9/16	230					1
14	WAS140330	9/16	330					1
16	WAS160220	5/8	220					1
16	WAS160330	5/8	330					1
18	WAS180230	23/32	230					1
19	WAS190220	3/4	220					1
19	WAS190330	3/4	330					1
20	WAS200220	25/32	220					1
20	WAS200330	25/32	330					1
21	WAS210220	13/16	220					1
21	WAS210330	13/16	330					1
22	WAS220220	7/8	220					1
22	WAS220330	7/8	330					1
22	WAS220440	7/8	440					1
24	WAS240330	15/16	330					1
25	WAS250220	1	220					1
25	WAS250330	1	330					1
25	WAS250440	1	440					1
30	WAS300330	1-3/16	330					1
32	WAS320440	1-1/4	440					1

SUPPLIED IN INDUSTRIAL HANG PACK



HOLESAWS BI-METAL

4/6 variable tooth / 35mm
(1-3/8") cutting depth



measure standard		style		material				alpha		
METRIC		HOLESAW		M42 COBALT BI-METAL						
Dia.	Code	Holesaw dia.						Price	Pack	
mm		inches						each	qty	
HOLESAWS - BI-METAL GOLD SERIES										
14	HSV14	9/16							12	
16	HSV16	5/8							12	
17	HSV17	11/16							12	
19	HSV19	3/4							12	
20	HSV20	-							12	
21	HSV21	13/16							12	
22	HSV22	7/8							12	
24	HSV24	15/16							12	
25	HSV25	1							12	
27	HSV27	1-1/16							6	
29	HSV29	1-1/8							6	
30	HSV30	1-3/16							6	
32	HSV32	1-1/4							6	
33	HSV33	1-5/16							6	
35	HSV35	1-3/8							6	
37	HSV37	1-7/16							6	
38	HSV38	1-1/2							6	
40	HSV40	1-9/16							6	
41	HSV41	1-5/8							6	
43	HSV43	1-11/16							6	
44	HSV44	1-3/4							6	
45	HSV45	1-25/32							6	
46	HSV46	1-13/16							6	
48	HSV48	1-7/8							6	
50	HSV50	1-31/32							6	
51	HSV51	2							6	
52	HSV52	2-1/16							6	
54	HSV54	2-1/8							6	
55	HSV55	2-5/32							6	
57	HSV57	2-1/4							6	
59	HSV59	2-5/16							6	
60	HSV60	2-3/8							6	
64	HSV64	2-1/2							6	
65	HSV65	2-9/16							6	
67	HSV67	2-5/8							6	
68	HSV68	2-21/32							6	
70	HSV70	2-3/4							6	
		SUPPLIED IN CLAMSHELL HANG PACK								



Did you know?
GOLD SERIES BI-METAL HOLESAWS ARE BRILLIANT TO USE WITH THE PRO-FIT DRILL & DROP ARBORS - SEE PAGE 61



HOLESAWS BI-METAL



4/6 variable tooth / 35mm
(1-3/8") cutting depth

measure standard METRIC	style HOLESAW	material M42 COBALT BI-METAL	<i>alpha</i>
-----------------------------------	-------------------------	--	--------------

Dia.	Code	Holesaw dia.					Price	Pack
mm		inches					each	qty
HOLESAWS - BI-METAL GOLD SERIES								
73	HSV73	2-7/8						6
75	HSV75	2-15/16						6
76	HSV76	3						6
79	HSV79	3-1/8						6
83	HSV83	3-1/4						6
86	HSV86	3-3/8						6
89	HSV89	3-1/2						6
92	HSV92	3-5/8						6
95	HSV95	3-3/4						6
98	HSV98	3-7/8						6
100	HSV100	3-15/16						6
102	HSV102	4						6
105	HSV105	4-1/8						6
108	HSV108	4-1/4						6
111	HSV111	4-3/8						6
114	HSV114	4-1/2						6
121	HSV121	4-3/4						6
127	HSV127	5						6
140	HSV140	5-1/2						6
146	HSV146	5-3/4						6
152	HSV152	6						6



SUPPLIED IN CLAMSHELL HANG PACK

Did you know?
PRO-FIT MULTI-PURPOSE
TCT HOLESAWS ARE
AVAILABLE - SEE PAGE 63



Did you know?
GOLD SERIES BI-METAL
HOLESAWS ARE BRILLIANT
TO USE WITH THE
PRO-FIT DRILL & DROP
ARBORS - SEE PAGE 61



HOLESAWSETS

4/6 variable tooth / 35mm (1-3/8") cutting depth








measure standard	style	material		
METRIC	HOLESAW SET	M42 COBALT BI-METAL	<i>alpha</i>	
Code	Description	Price	CTN	
		each	qty	
BI-METAL HOLESAW SETS GOLD SERIES				
HSKTR12	12 Piece Tradesman Holesaw Kit 16,19,22,29,35,38,44,51,54,64mm, Adapter, Small & Large Quick Release Arbors		10	
HSKEL9	9 Piece Electrician Holesaw Kit 20,22,25,32,40,51,70mm, Adapter, Small & Large Quick Release Arbors		10	
HSKPL9	9 Piece Plumber Holesaw Kit 19,22,29,38,44,51,57mm, Adapter, Small & Large Quick Release Arbors		10	
HSKL08	8 Piece Locksmith Holesaw Kit 15,16,20,25,35,54mm, Adapter, Small & Large Quick Release Arbors		10	

ARBORS 14-30MM HOLESAWS

- Suit 14-30mm holesaws  ARB-1
small hex shank
- Suit 14-30mm holesaws  ARBSP-1
small SDS shank
- Suit 14-30mm holesaws  DD1
Profit drill & drop - suitable for all holesaws
Pilot drills - page 65

ARBORS 32-198MM HOLESAWS

- Suit 32-198mm holesaws  ARB-2
large hex shank
heavy duty screw up design
- Suit 32-198mm holesaws  ARB-3
large quick release hex shank
- Suit 32-198mm holesaws  ARBSP-2
large SDS shank
Screw up design
- Suit 32-198mm holesaws  DD2
Pro-fit drill & drop - suitable for all holesaws
Pilot drills - page 65

measure standard		style		material		alpha	
METRIC		ARBORS		HSS			
To Suit	Code	Shank	Description	Price	Pack	PLD-1	PLD-2
Holesaw Size		size		each	qty		
ARBORS							
14-30	ARB-1	11/32"	Small Hex Shank to suit 10mm 3/8" chucks		6		
14-30	ARBSP-1	SDS Plus	Small Arbor - SDS Shank		6		
14-30	DD1	8mm	Profit Drill & Drop Arbor Complete for Bi-Metal HSS Holesaws 14-30mm		1		
32-198	ARB-2	7/16"	Large Hex Shank to suit 12mm 1/2" chucks		6		
32-198	ARB-3	11/32"	Large Arbor - Quick Release Hex Shank		6		
32-198	ARBSP-2	SDS Plus	Large Arbor - SDS Shank		6		
32-198	DD2	10mm	Profit Drill & Drop Arbor Complete for Bi-Metal HSS Holesaws 32-152mm		1		
1/4"	PLD-1		3-1/4" Pilot Hole Drill - Fits All Size Arbors		20		
1/4"	PLD-2		4-1/4" Pilot Hole Drill - Straight through style arbors		20		
	ARB-ADP		Adaptor to convert small to large arbors		1		
SUPPLIED CARDED FOR RETAIL							

EASY,
FAST PLUG
EJECTION

PRO-FIT UP TO 5 TIMES FASTER



drill & drop

WHOLE SAW IN ONE!

PRO-FIT

The PRO-FIT Multi-Purpose Holesaw can cut a hole 5 times faster in wood, particle-board, pressed wood products, ceramic materials like wall tiles, plastic and soft-stone material.

Save time and money!

Save time and frustration with the new **Drill & Drop** system. A unique plug ejection system for easy removal of the drilled out plug. Quickly change holesaw size with one push of the button.



- 1 Cut a hole
- 2 Push the button
- 3 Pull the holesaw backwards
- 4 Release the plug

PRO-FIT MULTIPURPOSE TCT HOLESAWS

for wood applications up to five times faster



measure standard		style		material		PRO-FIT	
METRIC		MULTIPURPOSE HOLESAW		TUNGSTEN CARBIDE TIP		PRO-FIT	
Dia.	Code	Dia				Price	Pack
mm		inches				\$ each	qty
MULTIPURPOSE TCT HOLESAWS							
16	HSTCT-16	5/8					1
20	HSTCT-20	-					1
22	HSTCT-22	7/8					1
25	HSTCT-25	1					1
27	HSTCT-27	1 - 1/16					1
30	HSTCT-30	1 - 3/16					1
32	HSTCT-32	1 - 1/4					1
35	HSTCT-35	1 - 3/8					1
38	HSTCT-38	1 - 1/2					1
40	HSTCT-40	1 - 9/16					1
44	HSTCT-44	1 - 3/4					1
50	HSTCT-50	1 - 31/32					1
51	HSTCT-51	2					1
54	HSTCT-54	2 - 1/8					1
57	HSTCT-57	2 - 1/4					1
60	HSTCT-60	2 - 3/8					1
64	HSTCT-64	2 - 1/2					1
68	HSTCT-68	2 - 21/32					1
70	HSTCT-70	2 - 3/4					1
76	HSTCT-76	3					1
80	HSTCT-80	3 - 1/8					1
86	HSTCT-86	3 - 3/8					1
89	HSTCT-89	3 - 1/2					1
92	HSTCT-92	3 - 5/8					1
102	HSTCT-102	4					1
114	HSTCT-114	4 - 1/2					1
125	HSTCT-125	5					1
		SUPPLIED WITH HANG TAB					

Did you know?

PRO-FIT TCT HOLESAWS ARE BRILLIANT FOR DRILLING COMPRESSED FIBRE CEMENT SHEETING

PRO-FIT MULTIPURPOSE TCT HOLESAWS KIT

quick and easy release of plug



measure standard	style	material	PRO-FIT	
METRIC	HOLESAW KITS	TUNGSTEN CARBIDE TIP		
Code	Description	Price \$ each	Pack qty	
TCT HOLESAW KITS				
HSTCKEL12	12 Piece Electricians TCT Holesaw Kit 20, 22, 25, 32, 40, 51, 70, 92mm + Small & Large Arbor + 2 Adaptor		1	
HSTCKPL12	12 Piece Plumbers TCT Holesaw Kit 20, 22, 25, 29, 38, 44, 51, 57mm + Small & Large Arbor + 2 Adaptor		1	
HSTCKTR16	16 Piece Tradesmans TCT Holesaw Kit 16, 20, 22, 25, 30, 35, 38, 44, 51, 57, 64, 76mm Adapter, Small, Large Quick Release Arbors + 2 Adaptor		1	

PRO-FIT DRILL & DROP ARBORS

DD1 Quick load and release - suitable for all holesaws 14-30mm



DD2 Quick load and release - suitable for all holesaws 32-152mm



DDH1MP



DDH1MPCT



DDH2MP



DDH2MPCT



measure standard	style	material	PRO-FIT	
METRIC	DRILL AND DROP ARBORS	HSS & TCT		
Dia.	Code	Description	Price	Pack
mm			\$ each	qty
TCT DRILL & DROP - COMPLETE ARBORS & DRILL COMBINATION				
8	DD1	Profit Drill & Drop Arbor Complete for Bi-Metal HSS Holesaws 14-30mm		1
8	DD1MP	Profit Drill & Drop Arbor Complete for Multi-purpose Holesaws 14-30mm		1
10	DD2	Profit Drill & Drop Arbor Complete for Bi-Metal HSS Holesaws 32-152mm		1
10	DD2MP	Profit Drill & Drop Arbor Complete for Multi-purpose Holesaws 32-152mm		1
TCT DRILL & DROP ACCESSORIES				
	DDA1	Profit Drill & Drop Replacement Adaptor only for DD1 Arbor		1
	DDA2	Profit Drill & Drop Replacement Adaptor only for DD2 Arbor		1
8	DDH1MP	Profit Hex Bar 8mm with HSS Centre Drill for 14-30mm		1
8	DDH1MPCT	Profit Hex Bar 8mm with Carbide Tipped Pilot Drill for 14-30mm		1
10	DDH2MP	Profit Hex Bar 10mm with HSS Centre Drill for 32-152mm		1
10	DDH2MPCT	Profit Hex Bar 10mm with Carbide Tipped Pilot Drill for 32-152mm		1

DDA1



DDA2





ULTRA HACKSAW BLADES

Bi-Metal HSS



ULTRA VARIABLE-TOOTH HACKSAW BLADES

Bi-Metal HSS



ALPHA HACKSAW BLADES

Bi-Metal HSS



AIR HACKSAW BLADES

Bi-Metal HSS



measure standard		style		material		alpha	
ALPHA ULTRA		HACKSAW BLADES		HSS BI-METAL			
tpi	Code	Description	Price	Pack			
			each	qty			
ULTRA HACKSAW BLADES MADE IN EUROPE							
18	300-18U	ULTRA 18 tpi Hacksaw Blade		100			
24	300-24U	ULTRA 24 tpi Hacksaw Blade		100			
32	300-32U	ULTRA 32 tpi Hacksaw Blade		100			
ULTRA VARIABLE TOOTH HACKSAW BLADES MADE IN EUROPE							
20-24	300-VARU	ULTRA Supercut - 20-24 tpi Variable Tooth Hacksaw Blade		100			
ALPHA HACKSAW BLADES							
18	300-18A	ALPHA 18 tpi Hacksaw Blade		100			
24	300-24A	ALPHA 24 tpi Hacksaw Blade		100			
32	300-32A	ALPHA 32 tpi Hacksaw Blade		100			
AIR HACKSAW BLADES							
14	CBB-14A	ALPHA 14 tpi Air Hacksaw Blade 10 pack		10			
18	CBB-18A	ALPHA 18 tpi Air Hacksaw Blade 10 pack		10			
24	CBB-24A	ALPHA 24 tpi Air Hacksaw Blade 10 pack		10			
32	CBB-32A	ALPHA 32 tpi Air Hacksaw Blade 10 pack		10			

Did you know?
THE ALPHA ULTRA
VARIABLE TOOTH CUTS
20% FASTER



RHINO GRIP HACKSAW FRAME



- Bi-material frame with metal core
- Quick release handle for easy blade changing
- Comfortable rubber grip
- Tensioning screw for accurate cutting
- NO FLEX high tension frame



STERLING

style
HACKSAW FRAME

Sterling

Code	Description	Price each	Pack qty
HACKSAW FRAME MADE IN EUROPE			
HF-40T	Rhino Grip Hacksaw Frame		1
Code	Description	Price each	Pack qty
HACKSAW DISPLAY			
HF-DISPLAY	6 x HF-40T Rhino Grip Hacksaw Frames 100 x 300-18U - 18tpi Hacksaw Blades 100 x 300-24U - 24tpi Hacksaw Blades 100 x 300-32U - 32tpi Hacksaw Blades		1





BROACHDRILLS

alternate teeth geometry for superior cutting / for use in magnetic drilling machines
 suits Weldon style machines eg. Rotaquick®, Hougen®, Slugger® & Nitto® One-Touch™ machines



measure standard		style	material		
METRIC		BROACH DRILLS	HIGH QUALITY HSS CUTTERS	alpha	
Drill Dia.	Code	Description	Price	Pack	
mm			each	qty	
BROACH DRILLS					
12	CHSS1225*	Depth - 25mm		1	
13	CHSS1325	Depth - 25mm		1	
14	CHSS1425	Depth - 25mm		1	
15	CHSS1525	Depth - 25mm		1	
16	CHSS1625	Depth - 25mm		1	
17	CHSS1725	Depth - 25mm		1	
18	CHSS1825	Depth - 25mm		1	
19	CHSS1925	Depth - 25mm		1	
20	CHSS2025	Depth - 25mm		1	
21	CHSS2125	Depth - 25mm		1	
22	CHSS2225	Depth - 25mm		1	
23	CHSS2325	Depth - 25mm		1	
24	CHSS2425	Depth - 25mm		1	
25	CHSS2525	Depth - 25mm		1	
26	CHSS2625	Depth - 25mm		1	
27	CHSS2725	Depth - 25mm		1	
28	CHSS2825	Depth - 25mm		1	
29	CHSS2925	Depth - 25mm		1	
30	CHSS3025	Depth - 25mm		1	
31	CHSS3125	Depth - 25mm		1	
32	CHSS3225	Depth - 25mm		1	
33	CHSS3325	Depth - 25mm		1	
34	CHSS3425	Depth - 25mm		1	
35	CHSS3525	Depth - 25mm		1	
36	CHSS3625	Depth - 25mm		1	
38	CHSS3825	Depth - 25mm		1	
40	CHSS4025	Depth - 25mm		1	
41	CHSS4125	Depth - 25mm		1	
42	CHSS4225	Depth - 25mm		1	
43	CHSS4325	Depth - 25mm		1	
44	CHSS4425	Depth - 25mm		1	
45	CHSS4525	Depth - 25mm		1	
46	CHSS4625	Depth - 25mm		1	
48	CHSS4825	Depth - 25mm		1	
50	CHSS5025	Depth - 25mm		1	
52	CHSS5225	Depth - 25mm		1	
63	CHSS6325	Depth - 25mm		1	
65	CHSS6525	Depth - 25mm		1	
		* 12mm Cutter takes reduced size pin # EJPIN82-RE			



BROACHDRILLS

alternate teeth geometry for superior cutting / for use in magnetic drilling machines
 suits Weldon style machines eg. Rotaquick®, Hougén®, Slugger® & Nitto® One-Touch™ machines



Multi-Fit Shank

measure standard	style	material	<i>alpha</i>	
METRIC	BROACH DRILLS	HIGH QUALITY HSS CUTTERS		

Drill Dia. mm	Code	Description	Price each	Pack qty
BROACH DRILLS				
12	CHSS1250*	Depth - 50mm		1
13	CHSS1350	Depth - 50mm		1
14	CHSS1450	Depth - 50mm		1
15	CHSS1550	Depth - 50mm		1
16	CHSS1650	Depth - 50mm		1
17	CHSS1750	Depth - 50mm		1
18	CHSS1850	Depth - 50mm		1
19	CHSS1950	Depth - 50mm		1
20	CHSS2050	Depth - 50mm		1
21	CHSS2150	Depth - 50mm		1
22	CHSS2250	Depth - 50mm		1
23	CHSS2350	Depth - 50mm		1
24	CHSS2450	Depth - 50mm		1
25	CHSS2550	Depth - 50mm		1
26	CHSS2650	Depth - 50mm		1
27	CHSS2750	Depth - 50mm		1
28	CHSS2850	Depth - 50mm		1
29	CHSS2950	Depth - 50mm		1
30	CHSS3050	Depth - 50mm		1
31	CHSS3150	Depth - 50mm		1
32	CHSS3250	Depth - 50mm		1
40	CHSS4050	Depth - 50mm		1

* 12mm Cutter takes reduced size pin # EJPIN102-RE

Drill Dia. mm	Code	Description	Price each	Pack qty
EJECTION PIN — TO SUIT BROACH DRILLS				
77	EJPIN77	77mm Length x 6.35mm Diameter		1
82	EJPIN82-RE	82mm Length x 4.80mm Diameter - to suit 12mm Cutter		1
102	EJPIN102	102mm Length x 6.35mm Diameter		1
102	EJPIN102-RE	102mm Length x 4.80mm Diameter - to suit 12mm Cutter		1





BROACHSTEPDRILLS

one step drill = up to 5 drills



measure standard **METRIC** style **BROACH STEP DRILLS** material **HIGH QUALITY HSS CUTTERS** *alpha*



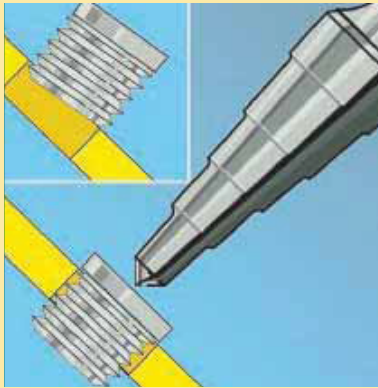
Drill Dia. mm	Code	Description	Max Material Thickness	Price each	Pack qty
BROACH STEP DRILLS					
8-16	MPSD0816	8 - 16mm Self Starter Broach Step Drill 8, 10, 12, 14, 16mm	12		1
10-18	MPSD1018	10 - 18mm Self Starter Broach Step Drill 10, 12, 14, 16, 18mm	12		1
20-28	MPSD2028	20 - 28mm Self Starter Broach Step Drill 20, 22, 24, 26, 28mm	12		1
30-38	MPSD3038	30 - 38mm Follow On Broach Step Drill 30, 32, 34, 36, 38mm	12		1
40-48	MPSD4048	40 - 48mm Follow On Broach Step Drill 40, 42, 44, 46, 48mm	12		1



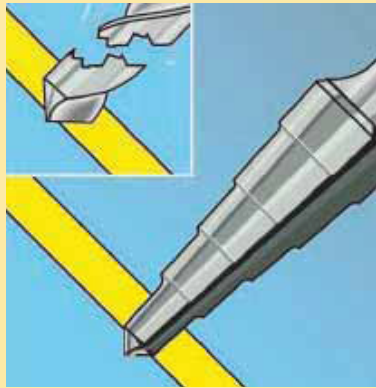
ADVANTAGES OVER CONVENTIONAL DRILLING

for use in:
General engineering
Bridge and highway maintenance
Truck and trailer manufacturing
Construction
Ship building and railroad
Offshore rigs and pipelines
Elevator repair
General metal fabrications

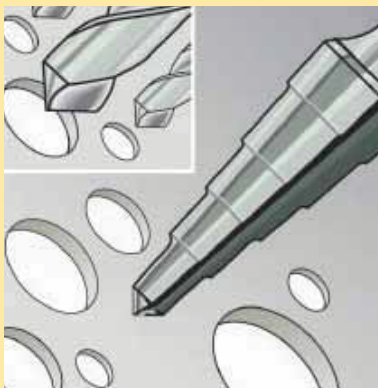
alpha



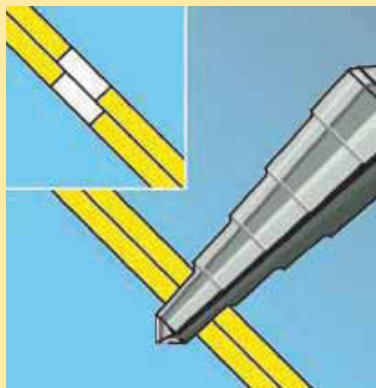
Easy to enlarge holes



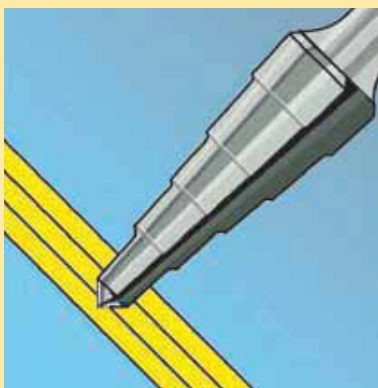
Increased rigidity



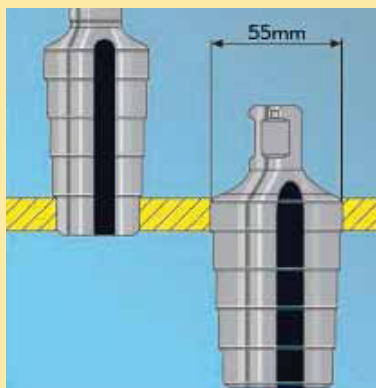
3 or 5 drill sizes on 1 tool



Rectify out of line holes



Drill through several stacked plates



Increased maximum diameter capability of drilling machine

